

### Applications

- DSSS 2.4 GHz WLAN (IEEE802.11b)
- OFDM 2.4 GHz WLAN (IEEE802.11g)
- Portable and Battery WLAN Applications
- Access Points, PCMCIA, PC cards

### Features

- Single 3.3 V Supply Operation
- 18.5 dBm, EVM = 3 %, 802.11g, OFDM 54 Mbps
- 23 dBm, ACPR < -32 dBc, 802.11b
- 32 dB Gain
- Selectable Power Detector Slope for use with multiple chipsets (Negative and Positive)
- Integrated power amplifier enable pin (V<sub>EN</sub>)
- Lead Free and RoHS Compliant
- Ultra thin package: 0.5 mm
- Small package, 16 pin 3 mm x 3 mm x 0.5 mm QFN

### Product Description

The SE2523BU is a 2.4 GHz power amplifier designed for use in the 2.4 GHz ISM band for wireless LAN applications. The device incorporates two selectable power detectors for closed loop monitoring of the output power.

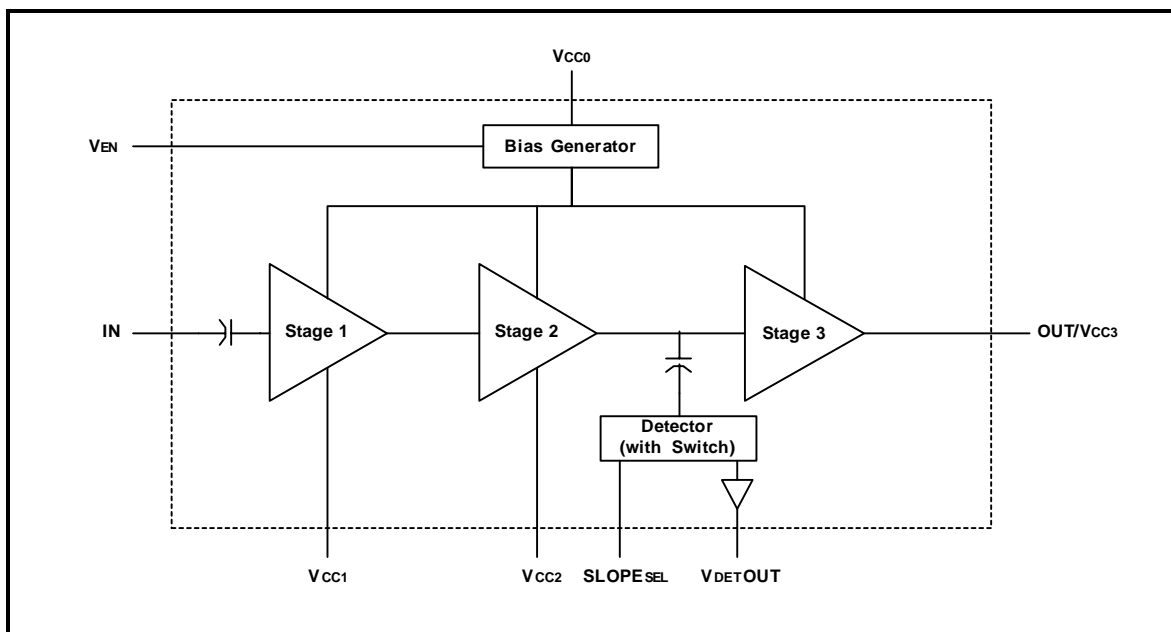
The SE2523BU includes a digital enable control for device on/off control.

The SE2523BU temperature compensated power detector has two selectable power detectors slopes, positive and negative. This allows easy use with multiple chipsets. The detector is also highly immune to mismatch at its output with less than 1.5 dB of variation with a 2:1 mismatch.

### Ordering Information

Part Number	Package	Remark
SE2523BU	16 Pin QFN	Samples
SE2523BU-R	16 Pin QFN	Tape and Reel
SE2523BU-EK1	Evaluation Kit	Standard

### Functional Block Diagram



**Figure 1: Functional Block Diagram**

<http://www.sige.com>

Email: [sales@sige.com](mailto:sales@sige.com)

**Customer Service Locations:**

North America:  
1050 Morrison Drive, Suite 100  
Ottawa ON K2H 8K7 Canada

Phone: +1 613 820 9244  
Fax: +1 613 820 4933

Hong Kong  
Phone: +852 3428 7222  
Fax: +852 3579 5450

San Diego  
Phone: +1 858 668 3541 (ext. 226)  
Fax: +1 858 668 3546

United Kingdom  
Phone: +44 1279 464217  
Fax: +44 1279 464201

Product Preview

The datasheet contains information from the product concept specification. SiGe Semiconductor, Inc. reserves the right to change information at any time without notification.

Preliminary Information

The datasheet contains information from the design target specification. SiGe Semiconductor, Inc. reserves the right to change information at any time without notification.

Production testing may not include testing of all parameters.

Information furnished is believed to be accurate and reliable and is provided on an "as is" basis. SiGe Semiconductor, Inc. assumes no responsibility or liability for the direct or indirect consequences of use of such information nor for any infringement of patents or other rights of third parties, which may result from its use. No license or indemnity is granted by implication or otherwise under any patent or other intellectual property rights of SiGe Semiconductor, Inc. or third parties. Specifications mentioned in this publication are subject to change without notice. This publication supersedes and replaces all information previously supplied. SiGe Semiconductor, Inc. products are NOT authorized for use in implantation or life support applications or systems without express written approval from SiGe Semiconductor, Inc.

Copyright 2009 SiGe Semiconductor, Inc.  
All Rights Reserved

